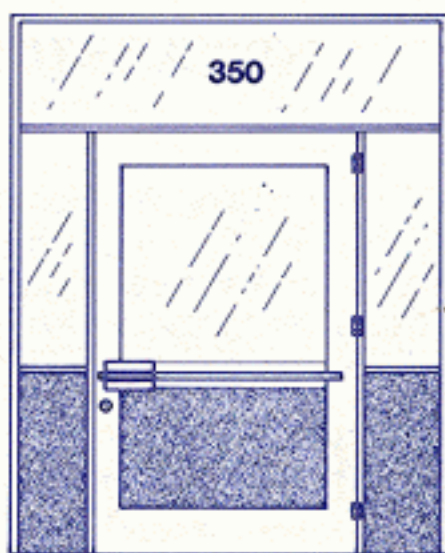
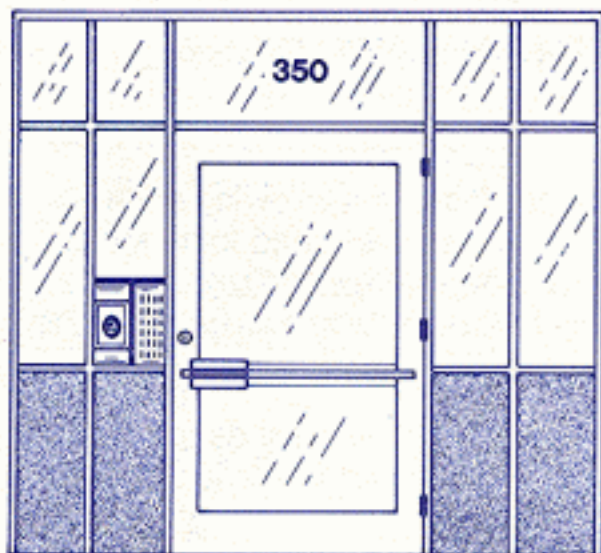


INDUSTRIAL-METAL

**DOOR
&
GLASS**

**DESIGNERS
FABRICATORS
INSTALLERS**

FULLY INSURED



4458 WHITE PLAINS RD., BRONX, N.Y. 10470

(718) 325-6853 - (718) 881-2746

TYPICAL APARTMENT HOUSE PROPOSAL

Remove existing building entrance and vestibule doors. Furnish and install the following materials for new entrance door and vestibule door. Doors to be 42" medium style, 3 1/2" cross rail, 1 1/2" pair ball bearing butt hinges. Vestibule doors to have lock low location Adam Rite latch lock and lever handle, Folger Adams door opener. Entrance door to have dead lock standard location blank cylinders. Doors to have tempered glass top and bottom or panel. Surface mounted door closer and 4" saddle. Framing to be 1 3/4 x 4 1/2", flush glazing system. One side light each side of transom above. Full brown tone trim as necessary.

Labor and Materials

Deposit

Balance on completion

TYPICAL STOREFRONT PROPOSAL

Remove existing storefront furnish and install the following materials. Door to be 36" narrow style, pivot hinges. MS dead lock, surface mounted door closer, 4" saddle. Full tempered glass. Framing to be 1 3/4 x 4". Fin tubing. Show windows 1/4" polished glass. Bulk-head to be 2 x 4" wood framing 707 Kawneer facing. No interior work.

No matter where you are located you will find thousands of satisfied customers pleased with our quality products and excellent service.

INDUSTRIAL-METAL DOOR & GLASS DESIGNERS FABRICATORS INSTALLERS

FULLY INSURED

SPECIFICATIONS

I. GENERAL

DESCRIPTION

Work Included: Furnish all necessary materials, labor and equipment for the complete installation of the Swinging Doors and Door Frames as shown on the drawings and specified herein. (Specifier Note: It is suggested that related items such as glass, sealants, and aluminum framing be included wherever possible.)
Work Not Included: Structural support of the framing system, interior closures, trim, metal sub-sills. (Specifier list other exclusions.)

Related Work Specified Elsewhere: (Specifier list.)

QUALITY ASSURANCE

Drawings and specifications are based upon the Series _____ (choose one: 190-350-500) doors as manufactured by the Kawneer Company, Inc. Whenever substitute products are to be considered, supporting technical literature, samples, drawings and performance data must be submitted ten (10) days prior to bid in order to make a valid comparison of the product involved.

PERFORMANCE REQUIREMENTS

Structural:

Resistance to corner racking shall be tested by the Dual Moment Load test as follows:

- Test section shall consist of a standard top door corner assembly. Side rail section shall be 24" long and top rail section shall be 12" long.
- Anchor "top rail" positively to test bench so that corner protrudes 3" beyond bench edge.
- Anchor a lever arm positively to "side rail" at a point 19" from inside edge of "top rail". Attach weight support pad at a point 19" from inner edge of "side rail".
- Test section shall withstand a load of _____ (choose one: 190 pounds for 190 Door or 270 pounds for 350/500 Doors) on the lever arm before reaching the point of failure, which shall be considered a rotation of the lever arm in excess of 45°.

Air Infiltration: (Applies only to single acting offset pivot or butt hung entrances).

Air infiltration shall be tested in accordance with ASTM E 283, at a pressure differential of 1.567 P.S.F. (75 Pa). A single 3'-0" x 7'-0" (914.4 x 2133.6) entrance door and frame shall not exceed .50 CFM per linear foot of perimeter crack. A pair of 6'-0" x 7'-0" (1828.8 x 2133.6) entrance doors and frame shall not exceed 1.0 CFM per linear foot of perimeter crack.

II. PRODUCTS

MATERIALS

Extrusions shall be 6063-T5 alloy and temper (ASTM B 221 alloy G.S. 10A-T5). Fasteners, where exposed, shall be aluminum, stainless steel or plated steel in accordance with ASTM A 164. Perimeter anchors shall be aluminum or steel, providing the steel is properly isolated from the aluminum. Glazing gaskets shall be EPDM elastomeric extrusions. Major portions of the door sills shall be .125" (3.2) in thickness and glazing molding shall be .050" (1.2) thick.

FINISH

All exposed framing surfaces shall be free of scratches and other serious blemishes.

Aluminum moldings shall be given a caustic etch followed by an anodic oxide treatment to obtain . . . (Specify one of the following).

. . . an Architectural Class I anodic coating with integral color conforming to Aluminum Association Standard AA-M12 C22 A42.

Color shall be Permanodic _____ (Specify #40 Dark Bronze and #29 Black).

. . . a clear anodic coating conforming to Aluminum Association Standard AA-M12 C22 A31.

HARDWARE

Hardware for the entrance door and frame shall be as follows:

1. Pivoting/Hinging	_____	Include style, finish, type, model, series, manufacturer, etc. to assure a complete description. Refer to pages 6,7 & 8 for hardware offered with stock entrance packages. Refer to Section A9 for a complete listing and description of entrance hardware.
2. Locks:	_____	
Active Leaf	_____	
Inactive Leaf	_____	
3. Closer	_____	
4. Exit Device	_____	
5. Push-Pull	_____	
6. Door Holder	_____	
7. Threshold	_____	
8. Miscellaneous	_____	

Specifier Note: To insure single source responsibility and timely coordination, the Kawneer Company recommends that your finish hardware requirements be included in this section. If these requirements must be furnished under the "Finish Hardware" section of the specifications, the following statement should be included: "The finish hardware supplier shall be responsible for furnishing physical hardware to the entrance manufacturer prior to fabrication, and for coordinating hardware delivery requirements with the hardware manufacturer, the General Contractor and the entrance manufacturer to insure the building project is not delayed".

FABRICATION

The door stile and rail face dimensions of the _____

(choose one: 190-350-500) entrance door will be as follows:

Door	Vertical Stile	Top Rail	Bottom Rail
190	1-29/32" (48.4)	3- 9/32" (73.8)	3-29/32" (99.2)
500	5- 1/32" (127.8)	5- 1/32" (127.8)	6-17/32" (165.9)
350	3-17/32" (89.7)	3-17/32" (89.7)	6-17/32" (165.9)

Corner construction shall consist of mechanical clip fastening, SIGMA deep penetration and fillet welds. Glazing stops shall be snap-in type with EPDM glazing gaskets.

The door weathering on a single acting offset pivot or butt hung door and frame (single or pairs) shall be Kawneer SEAL-AIR® weathering. It is a dense, semi-rigid polymeric material, which remains resilient and retains its weathering ability under temperature extremes. OPTIONAL — The door bottom rail will be weathered with an EPDM blade gasket sweep strip applied with concealed fasteners. (Necessary for specified performance.)

The door weathering on a double acting, center pivoted door and frame (single or pairs) shall be metal backed pile cloth. OPTIONAL — The door bottom rail will be weathered with an EPDM blade gasket sweep strip applied with concealed fasteners.

III. EXECUTION

INSTALLATION

All jambs, head and sill track shall be set in correct locations as shown in the details and shall be level, square, plumb and in alignment with other work in accordance with the manufacturer's installation instructions and approved shop drawings. All joints between framing and the building structure shall be sealed in order to secure a watertight installation.

PROTECTION AND CLEANING

After installation, the General Contractor shall adequately protect exposed portions of aluminum surfaces from damage by grinding and polishing compounds, plaster, lime, acid, cement, or other contaminants. The General Contractor shall be responsible for final cleaning.

4458 WHITE PLAINS RD., BRONX, N.Y. 10470

(718) 325-6853 - (718) 881-2746

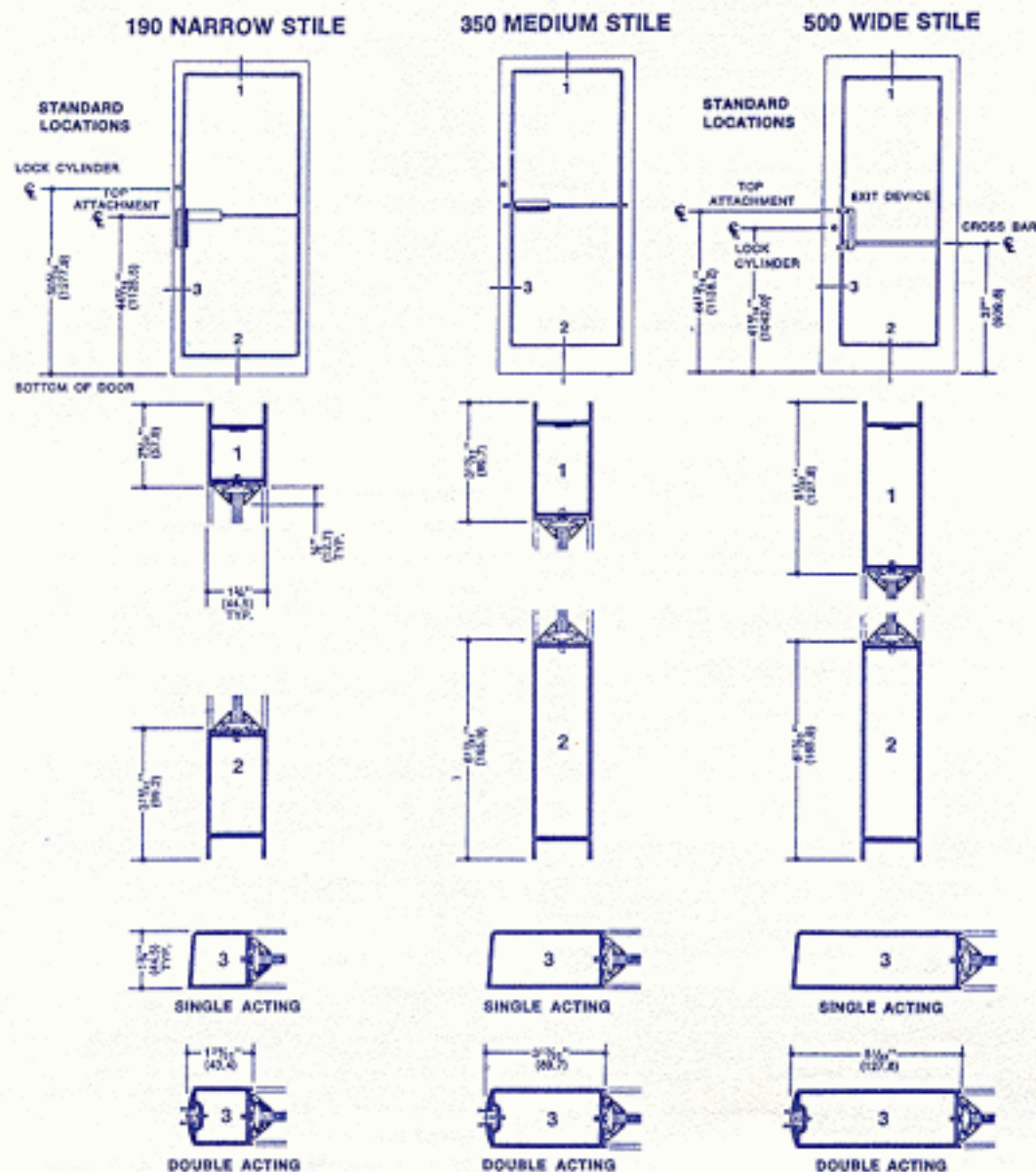
INDUSTRIAL-METAL DOOR & GLASS

DESIGNERS
FABRICATORS
INSTALLERS

FULLY INSURED

DOOR TYPES/SECT. DIMENSIONS

SCALE 3" = 1'-0" (76.2 = 304.8)



4458 WHITE PLAINS RD., BRONX, N.Y. 10470

(718) 325-6853 - (718) 881-2746

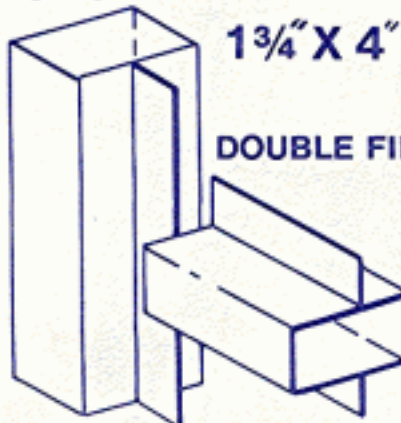
INDUSTRIAL-METAL DOOR & GLASS

DESIGNERS
FABRICATORS
INSTALLERS

FULLY INSURED

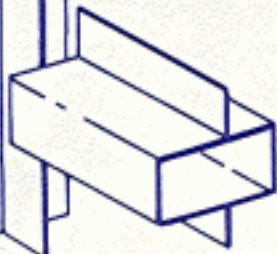
FRAMING

SINGLE FIN.

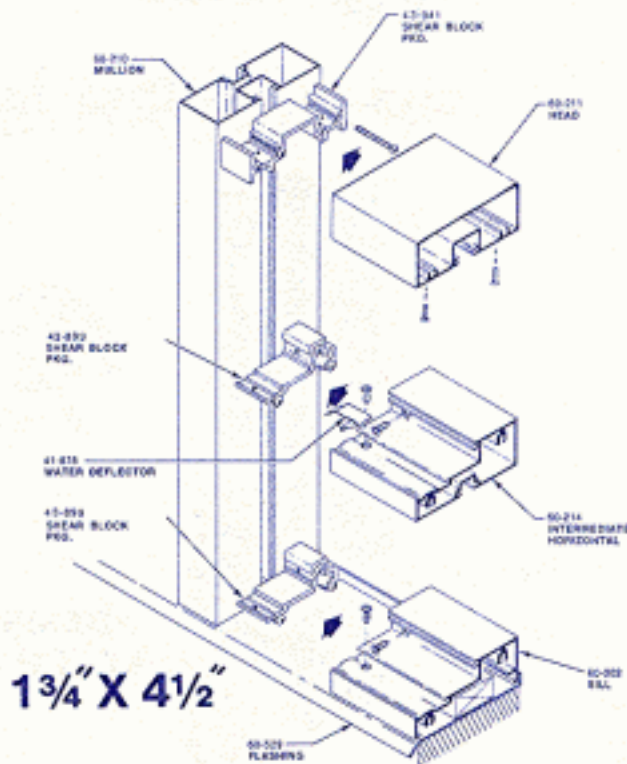


1 3/4" X 4"

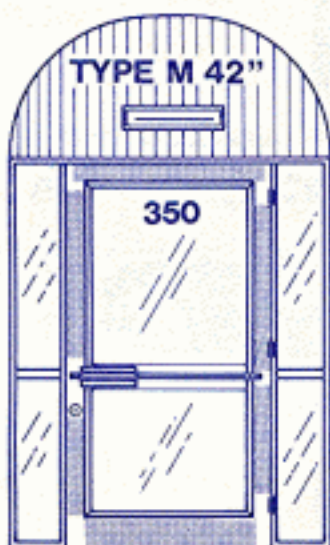
DOUBLE FIN.



Also comes in
Single & Double
Fin Designs



TYPICAL ENTRANCE DOORS



4458 WHITE PLAINS RD., BRONX, N.Y. 10470

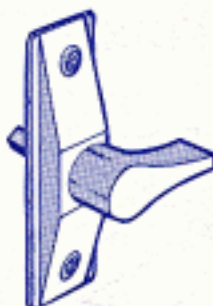
(718) 325-6853 - (712) 881-2746

INDUSTRIAL-METAL
DOOR & GLASS

**DESIGNERS
FABRICATORS
INSTALLERS**

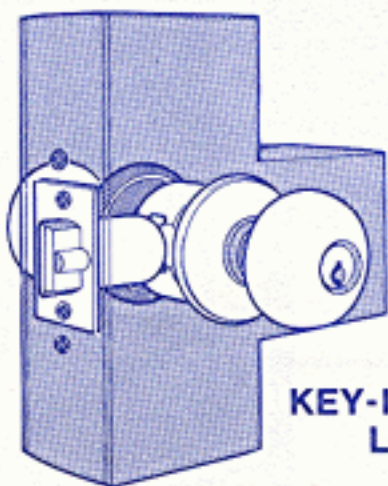
FULLY INSURED

LOCKING HARDWARE

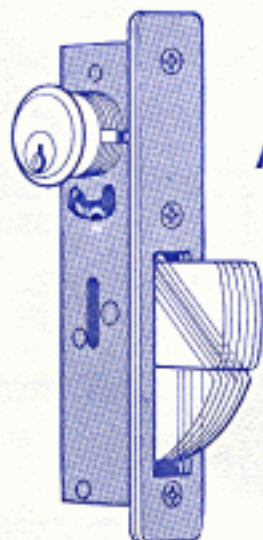


**ADAMS RITE
LATCH LOCK**

DOOR CYLINDERS



**KEY-IN-KNOB
LOCK**



**ADAMS RITE
DEAD LOCK**

4458 WHITE PLAINS RD., BRONX, N.Y. 10470

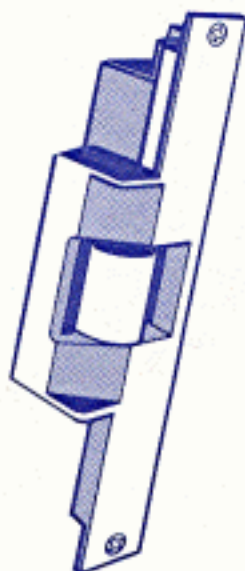
(718) 325-6853 - (718) 881-2746

INDUSTRIAL-METAL **DMG** DOOR & GLASS

DESIGNERS
FABRICATORS
INSTALLERS

FULLY INSURED

ELECTRICAL HARDWARE



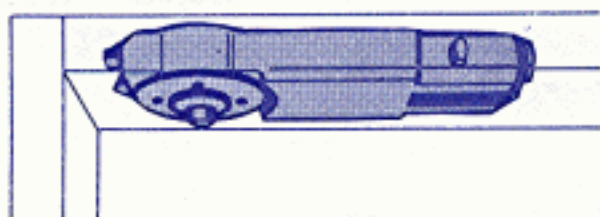
FOLGER ADAMS
ELECTRIC
RELEASE



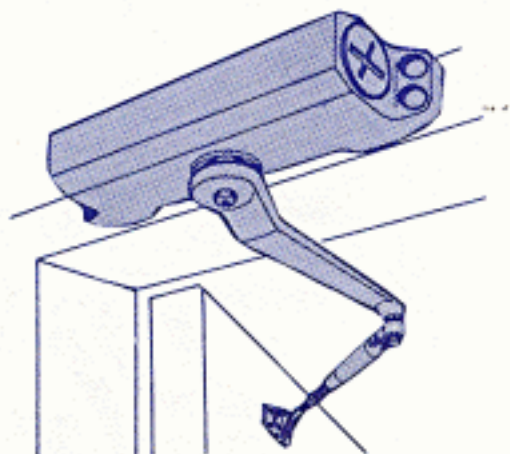
ADAMS RITE
ELECTRIC
RELEASE

DOOR CLOSERS

OVERHEAD
DOOR CHECK



#4 DOOR CHECK



4458 WHITE PLAINS RD., BRONX, N.Y. 10470
(718) 325-6853 - (718) 881-2746

INDUSTRIAL-METAL
DMG DOOR & GLASS
DESIGNERS
FABRICATORS
INSTALLERS

4458 WHITE PLAINS RD., BRONX, N.Y. 10470
(718) 325-6853 - (718) 881-2746